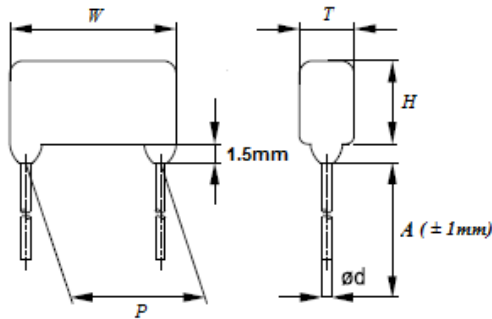


High-Voltage Metallized Polypropylene Film Capacitor



高壓金屬化聚丙烯膜電容器 SPPS series

■ 外觀圖 Outline Drawing



■ 主要用途:

大屏幕顯示器及彩電行逆和電路

適用於高脈沖·大電流電路

適用於電子鎮流器

■ Typical Applications

Horizontal resonance circuits of large screen monitor and color TV

Suitable for high pulse and high current loading circuit

Suitable for electronic ballast

■ 特點:

金屬化聚丙烯膜, 無感捲繞結構

高頻損耗小

內部溫升小

■ Features

Metalized polypropylene film, non-inductive wound construction

Low loss at high frequency

Small inherent temperature rise

■ 技術要求 Specifications

引用標準 Reference Standard	GB/T 10190 (IEC 60384-16)	
氣候類別 Climatic Category	55/105/56	
工作溫度範圍 Operating Temperature Range	-40°C~+105°C (+85°C to +105°C: decreasing factor 1.25% per °C for UR)	
電容量範圍 Capacitance Range	0.001uF ~ 0.1uF	
額定電壓 Rated Voltage	800Vdc , 1000/1250Vdc, 1600/2000Vdc	
電容偏差 Capacitance Tolerance	±5%(J) 、 ±10%(K)	
承受電壓 Voltage Proof	1.5UR (5s)	
損耗角 Dissipation Factor	≤ 0.1% (20°C,1kHz)	
絕緣電阻 Insulation Resistance	UR ≤ 100V	$C_R \leq 0.33\mu F \quad IR \geq 100,000M\Omega$ $C_R > 0.33\mu F \quad IR \geq 30,000S$

High- Voltage
Metallized Polypropylene Film Capacitor
高壓金屬化聚丙烯膜電容器 SPPS series



■ 外型尺寸表 Dimensions (mm)

* = Lead Forming (Refer to Product code system)

** = Lead length

800Vdc						
容量 uF	W	H	T	P	d	產品代碼 Part number
0.001	18.5	12	7	15	0.8	SPPS_102*0800D*15**
0.0015	18.5	13	7.5	15	0.8	SPPS_152*0800D*15**
0.0018	18.5	13.5	8	15	0.8	SPPS_182*0800D*15**
0.0022	18.5	14	9	15	0.8	SPPS_222*0800D*15**
0.0027	18.5	14.5	9.5	15	0.8	SPPS_272*0800D*15**
0.0033	18.5	15.5	10	15	0.8	SPPS_332*0800D*15**
0.0039	18.5	13.5	8.5	15	0.8	SPPS_392*0800D*15**
0.0043	18.5	14	8.5	15	0.8	SPPS_432*0800D*15**
0.0047	18.5	14	9	15	0.8	SPPS_472*0800D*15**
0.0053	18.5	14.5	9.5	15	0.8	SPPS_532*0800D*15**
0.0056	18.5	14.5	9.5	15	0.8	SPPS_562*0800D*15**
0.0068	18.5	15.5	10.5	15	0.8	SPPS_682*0800D*15**
0.0072	18.5	15.5	10.5	15	0.8	SPPS_722*0800D*15**
0.0075	18.5	16	10.5	15	0.8	SPPS_752*0800D*15**
0.0082	18.5	16.5	11	15	0.8	SPPS_822*0800D*15**
0.0084	18.5	16.5	11	15	0.8	SPPS_842*0800D*15**
0.0091	18.5	17	11.5	15	0.8	SPPS_912*0800D*15**
0.01	18.5	17.5	12	15	0.8	SPPS_103*0800D*15**
0.015	18.5	14	8.5	15	0.8	SPPS_153*0800D*15**
0.018	18.5	14.5	9.5	15	0.8	SPPS_183*0800D*15**
0.022	18.5	15.5	10	15	0.8	SPPS_223*0800D*15**
0.024	18.5	15.5	10.5	15	0.8	SPPS_243*0800D*15**
0.027	18.5	16	11	15	0.8	SPPS_273*0800D*15**
0.033	23	16	9.5	20	0.8	SPPS_333*0800D*20**
0.036	23	16.5	9.5	20	0.8	SPPS_363*0800D*20**
0.039	23	16.5	10	20	0.8	SPPS_393*0800D*20**
0.047	23	17.5	11	20	0.8	SPPS_473*0800D*20**
0.056	23	18.5	11.5	20	0.8	SPPS_563*0800D*20**
0.068	26	19	11	22.5	0.8	SPPS_683*0800D*23**
0.1	26	21.5	13	22.5	0.8	SPPS_104*0800D*23**

1000/1250Vdc						
容量 uF	W	H	T	P	d	產品代碼 Part number
0.001	18.5	12	7	15	0.8	SPPS_102*1250D*15**
0.0015	18.5	13	7.5	15	0.8	SPPS_152*1250D*15**
0.0018	18.5	13.5	8	15	0.8	SPPS_182*1250D*15**
0.0022	18.5	14	9	15	0.8	SPPS_222*1250D*15**
0.0027	18.5	14.5	9.5	15	0.8	SPPS_272*1250D*15**
0.0033	18.5	15.5	10	15	0.8	SPPS_332*01250D*15**
0.0036	18.5	13	8	15	0.8	SPPS_362*1250D*15**
0.0039	18.5	13.5	8.5	15	0.8	SPPS_392*1250D*15**
0.0043	18.5	14	8.5	15	0.8	SPPS_432*1250D*15**
0.0047	18.5	14	9	15	0.8	SPPS_472*1250D*15**
0.0049	18.5	14	9	15	0.8	SPPS_492*1250D*15**
0.0053	18.5	14.5	9.5	15	0.8	SPPS_532*1250D*15**
0.0056	18.5	14.5	9.5	15	0.8	SPPS_562*1250D*15**
0.0062	23	14.5	7.5	20	0.8	SPPS_622*1250D*20**
0.0065	23	14.5	8	20	0.8	SPPS_652*1250D*20**
0.0068	23	14.5	8	20	0.8	SPPS_682*1250D*20**
0.0072	23	15	8	20	0.8	SPPS_722*1250D*20**
0.0075	23	15	8	20	0.8	SPPS_752*1250D*20**
0.0078	23	15	8.5	20	0.8	SPPS_782*1250D*20**
0.0082	23	15.5	8.5	20	0.8	SPPS_822*1250D*20**
0.0084	23	15.5	8.5	20	0.8	SPPS_842*1250D*20**
0.01	23	16	9	20	0.8	SPPS_103*1250D*20**
0.012	23	16.5	10	20	0.8	SPPS_123*1250D*20**
0.015	29	15.5	9	25	0.8	SPPS_153*1250D*25**
0.018	29	16.5	9.5	25	0.8	SPPS_183*1250D*25**
0.022	29	18.5	10	25	0.8	SPPS_223*1250D*25**
0.024	29	18.5	10.5	25	0.8	SPPS_243*1250D*25**
0.027	29	19	11	25	0.8	SPPS_273*1250D*25**
0.033	29	20.5	12	25	0.8	SPPS_333*1250D*25**
0.036	29	20.5	12.5	25	0.8	SPPS_363*1250D*25**

High- Voltage
Metallized Polypropylene Film Capacitor
高壓金屬化聚丙烯膜電容器 SPPS series



■ 外型尺寸表 Dimensions (mm)

1600/2000Vdc						
容量 uF	W	H	T	P	d	產品代碼 Part number
0.001	18.5	12	7	15	0.8	SPPS_102*2000D*15**
0.0012	18.5	12.5	7	15	0.8	SPPS_122*2000D*15**
0.0015	18.5	13	7.5	15	0.8	SPPS_152*2000D*15**
0.0016	18.5	13	8	15	0.8	SPPS_162*2000D*15**
0.0018	18.5	13.5	8	15	0.8	SPPS_182*2000D*15**
0.0020	18.5	13.5	8.5	15	0.8	SPPS_202*2000D*15**
0.0022	18.5	14	9	15	0.8	SPPS_222*2000D*15**
0.0024	18.5	14.5	9	15	0.8	SPPS_242*2000D*15**
0.0027	18.5	14.5	9.5	15	0.8	SPPS_272*2000D*15**
0.0030	18.5	15	10	15	0.8	SPPS_302*2000D*15**
0.0033	18.5	15.5	10	15	0.8	SPPS_332*2000D*15**
0.0036	23	14.5	9	20	0.8	SPPS_362*2000D*20**
0.0039	23	15.5	9	20	0.8	SPPS_392*2000D*20**
0.0043	23	16	9	20	0.8	SPPS_432*2000D*20**
0.0047	23	16	9.5	20	0.8	SPPS_472*2000D*20**
0.0049	23	16.5	9.5	20	0.8	SPPS_492*2000D*20**
0.0051	23	16.5	10	20	0.8	SPPS_512*2000D*20**
0.0053	23	16.5	10	20	0.8	SPPS_532*2000D*20**
0.0056	23	17	10	20	0.8	SPPS_562*2000D*20**
0.0060	23	15.5	8.5	20	0.8	SPPS_602*2000D*20**
0.0062	23	15.5	9	20	0.8	SPPS_622*2000D*20**
0.0065	23	15.5	9	20	0.8	SPPS_652*2000D*20**
0.0068	23	16	9	20	0.8	SPPS_682*2000D*20**
0.0072	23	16	9.5	20	0.8	SPPS_722*2000D*20**
0.0075	23	16.5	9.5	20	0.8	SPPS_752*2000D*20**
0.0078	23	16.5	9.5	20	0.8	SPPS_782*2000D*20**
0.0082	23	16.5	10	20	0.8	SPPS_822*2000D*20**
0.0084	23	16.5	10	20	0.8	SPPS_842*2000D*20**
0.0091	23	17	10.5	20	0.8	SPPS_912*2000D*20**

1600/2000Vdc						
容量 uF	W	H	T	P	d	產品代碼 Part number
0.01	29	15.5	8.5	25	0.8	SPPS_103*2000D*25**
0.012	29	16	9.5	25	0.8	SPPS_123*2000D*25**
0.015	29	18	9.5	25	0.8	SPPS_153*2000D*25**
0.018	29	19	10.5	25	0.8	SPPS_183*2000D*25**
0.022	29	20	11.5	25	0.8	SPPS_223*2000D*25**
0.024	29	20.5	12	25	0.8	SPPS_243*2000D*25**
0.027	31	20.5	12	27.5	0.8	SPPS_273*2000D*28**
0.033	31	21.5	13	27.5	0.8	SPPS_333*2000D*28**
0.036	31	22	13.5	27.5	0.8	SPPS_363*2000D*28**

* = Lead Forming (Refer to Product code system)

** = Lead length