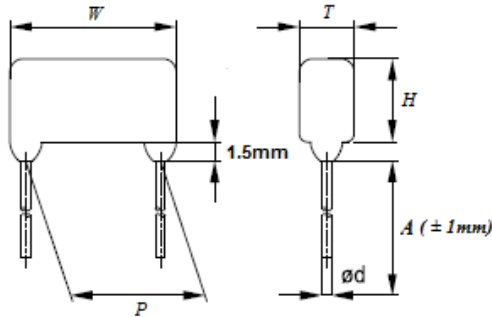


Metallized Polypropylene Film Capacitor (Dipped)



金屬化聚丙烯膜電容器 (浸漬型) SMTP series

■ 外觀圖 Outline Drawing



■ 主要用途:

適用於開關電源, 電子鎮流器和變頻器等中間
電路直流濾波 (DC-Link, P.F.C 等)

■ Typical Applications

As intermediate circuit capacitors for SMPS, Electronic ballast,
Inverter (i.e DC-Link, DC-filter and P.F.C)

■ 特點:

金屬化聚丙烯膜, 無感捲繞結構

■ Features

Metalized polypropylene film, non-inductive wound
construction

良好的電器性能

Low loss at high frequency

阻燃環氧粉末包封(UL94V-0)

Flame retardant epoxy resin powder coating (UL94V-0)

a: The SMTP series is only recommended to use in DC-Filter or DC-blocking circuits. It means the voltage applied to the capacitors must be unidirectional ripple voltage. The typical voltage curve is as following reference.

■ 技術要求 Specifications

引用標準 Reference Standard	GB/T 10190 (IEC 60384-16)	
氣候類別 Climatic Category	55/105/21	
工作溫度範圍 Operating Temperature Range	-40°C ~ +105°C (+85°C to +105°C: decreasing factor 1.25% per °C for UR)	
電容量範圍 Capacitance Range	0.027µF ~ 10 µF	
額定電壓 Rated Voltage	450Vdc , 520Vdc , 630Vdc	
電容偏差 Capacitance Tolerance	±5%(J) 、 ±10%(K)	
承受電壓 Voltage Proof	1.5UR (5s)	
損耗角 Dissipation Factor	≤ 0.10% (20°C,1kHz)	
絕緣電阻 Insulation Resistance	UR ≤ 100V	$C_R \leq 0.33\mu F \quad IR \geq 100,000M\Omega$ $C_R > 0.33\mu F \quad IR \geq 30,000S$

Metallized Polypropylene Film Capacitor
 金屬化聚丙烯膜電容器 (浸漬型) SMTP series



■ 外型尺寸表 Dimensions (mm)

450Vdc						
Cr μF	W	H	T	P	d	產品代碼 Part number
0.047	12.5	7.7	4.1	10	0.6	SMTP_473*0450D*10**
0.056	12.5	7.9	4.3	10	0.6	SMTP_563*0450D*10**
0.068	12.5	8.8	4.4	10	0.6	SMTP_683*0450D*10**
0.082	12.5	9.1	4.7	10	0.6	SMTP_823*0450D*10**
0.1	12.5	9.5	5.3	10	0.6	SMTP_104*0450D*10**
0.12	12.5	10.4	5.5	10	0.6	SMTP_124*0450D*10**
0.15	12.5	10.9	6	10	0.6	SMTP_154*0450D*10**
0.18	12.5	11.4	6.4	10	0.6	SMTP_184*0450D*10**
0.15	17.5	9.7	5.1	15	0.8	SMTP_154*0450D*15**
0.18	17.5	10.6	5.2	15	0.8	SMTP_184*0450D*15**
0.22	17.5	11	5.6	15	0.8	SMTP_224*0450D*15**
0.27	17.5	11.5	6	15	0.8	SMTP_274*0450D*15**
0.33	17.5	12	6.6	15	0.8	SMTP_334*0450D*15**
0.39	17.5	12.5	7.1	15	0.8	SMTP_394*0450D*15**
0.47	17.5	14.6	7.1	15	0.8	SMTP_474*0450D*15**
0.56	17.5	15.2	7.7	15	0.8	SMTP_564*0450D*15**
0.68	17.5	15.9	8.5	15	0.8	SMTP_684*0450D*15**
0.82	17.5	16.8	9.3	15	0.8	SMTP_824*0450D*15**
1.0	17.5	17.7	10.7	15	0.8	SMTP_105*0450D*15**
1.2	17.5	18.7	11.7	15	0.8	SMTP_125*0450D*15**
0.27	25.5	10.4	5	22.5	0.8	SMTP_274*0450D*23**
0.33	25.5	10.8	5.4	22.5	0.8	SMTP_334*0450D*23**
0.39	25.5	11.2	5.7	22.5	0.8	SMTP_394*0450D*23**
0.47	25.5	11.6	6.2	22.5	0.8	SMTP_474*0450D*23**
0.56	25.5	13.6	6.2	22.5	0.8	SMTP_564*0450D*23**
0.68	25.5	14.2	6.7	22.5	0.8	SMTP_684*0450D*23**
0.82	25.5	15.9	6.8	22.5	0.8	SMTP_824*0450D*23**
1.0	25.5	16.5	8	22.5	0.8	SMTP_105*0450D*23**
1.2	25.5	17.3	8.7	22.5	0.8	SMTP_125*0450D*23**

450Vdc						
Cr μF	W	H	T	P	d	產品代碼 Part number
1.5	25.5	18.2	9.7	22.5	0.8	SMTP_155*0450D*23**
1.8	25.5	19.1	10.6	22.5	0.8	SMTP_185*0450D*23**
2.2	25.5	20.2	11.7	22.5	0.8	SMTP_225*0450D*23**
2.7	25.5	21.5	12.9	22.5	0.8	SMTP_275*0450D*23**
0.68	30.7	13.5	6	27.5	0.8	SMTP_684*0450D*28**
0.82	30.7	14	6.6	27.5	0.8	SMTP_824*0450D*28**
1.0	30.7	14.7	7.7	27.5	0.8	SMTP_105*0450D*28**
1.2	30.7	16.4	7.8	27.5	0.8	SMTP_125*0450D*28**
1.5	30.7	17.2	8.7	27.5	0.8	SMTP_155*0450D*28**
1.8	30.7	18	9.4	27.5	0.8	SMTP_185*0450D*28**
2.2	30.7	20	9.8	27.5	0.8	SMTP_225*0450D*28**
2.7	30.7	23.2	9.9	27.5	0.8	SMTP_275*0450D*28**
3.3	30.7	24.3	11	27.5	0.8	SMTP_335*0450D*28**
3.9	30.7	25.3	12	27.5	0.8	SMTP_395*0450D*28**
4.7	30.7	26.6	13.3	27.5	0.8	SMTP_475*0450D*28**
5.6	30.7	28	14.7	27.5	0.8	SMTP_565*0450D*28**
6.8	30.7	29.6	16.4	27.5	0.8	SMTP_685*0450D*28**
8.2	30.7	31.4	18.2	27.5	0.8	SMTP_825*0450D*28**
10	30.7	33.5	20.3	27.5	0.8	SMTP_106*0450D*28**

* = Lead Forming (Refer to Product code system)

** = Lead length

Metallized Polypropylene Film Capacitor
 金屬化聚丙烯膜電容器 (浸漬型) SMTP series



■ 外型尺寸表 Dimensions (mm)

520Vdc						
容量 uF	W	H	T	P	d	產品代碼 Part number
0.039	12.5	7.8	4.1	10	0.6	SMTP_393*0520D*10**
0.047	12.5	8	4.4	10	0.6	SMTP_473*0520D*10**
0.056	12.5	8.8	4.4	10	0.6	SMTP_563*0520D*10**
0.068	12.5	9.2	4.7	10	0.6	SMTP_683*0520D*10**
0.082	12.5	9.5	5.1	10	0.6	SMTP_823*0520D*10**
0.1	12.5	10.5	5.6	10	0.6	SMTP_104*0520D*10**
0.12	12.5	10.9	6	10	0.6	SMTP_124*0520D*10**
0.15	12.5	11.5	6.6	10	0.6	SMTP_154*0520D*10**
0.18	12.5	12	7.1	10	0.6	SMTP_184*0520D*10**
0.1	17.5	9.4	4.8	15	0.8	SMTP_104*0520D*15**
0.12	17.5	9.7	5.1	15	0.8	SMTP_124*0520D*15**
0.15	17.5	10.1	5.5	15	0.8	SMTP_154*0520D*15**
0.18	17.5	10.5	5.9	15	0.8	SMTP_184*0520D*15**
0.22	17.5	11	6.4	15	0.8	SMTP_224*0520D*15**
0.27	17.5	12.1	6.6	15	0.8	SMTP_274*0520D*15**
0.33	17.5	12.6	7.2	15	0.8	SMTP_334*0520D*15**
0.39	17.5	14.7	7.2	15	0.8	SMTP_394*0520D*15**
0.47	17.5	15.4	7.9	15	0.8	SMTP_474*0520D*15**
0.56	17.5	16.1	8.6	15	0.8	SMTP_564*0520D*15**
0.68	17.5	16.9	9.4	15	0.8	SMTP_684*0520D*15**
0.82	17.5	17.8	10.3	15	0.8	SMTP_824*0520D*15**
1.0	17.5	18.9	11.9	15	0.8	SMTP_105*0520D*15**
0.33	25.5	11.3	5.9	22.5	0.8	SMTP_334*0520D*23**
0.39	25.5	11.7	6.3	22.5	0.8	SMTP_394*0520D*23**
0.47	25.5	13.8	6.3	22.5	0.8	SMTP_474*0520D*23**

520Vdc						
容量 uF	W	H	T	P	d	產品代碼 Part number
0.56	25.5	14.3	6.8	22.5	0.8	SMTP_564*0520D*23**
0.68	25.5	16	6.9	22.5	0.8	SMTP_684*0520D*23**
0.82	25.5	16.6	7.6	22.5	0.8	SMTP_824*0520D*23**
1.0	25.5	17.4	8.9	22.5	0.8	SMTP_105*0520D*23**
1.2	25.5	18.2	9.7	22.5	0.8	SMTP_125*0520D*23**
1.5	25.5	20.3	10.2	22.5	0.8	SMTP_155*0520D*23**
1.8	25.5	21.3	11.2	22.5	0.8	SMTP_185*0520D*23**
2.2	25.5	22.5	12.4	22.5	0.8	SMTP_225*0520D*23**
0.47	30.7	11.6	6.2	27.5	0.8	SMTP_474*0520D*28**
0.56	30.7	12.1	6.6	27.5	0.8	SMTP_564*0520D*28**
0.68	30.7	12.6	7.2	27.5	0.8	SMTP_684*0520D*28**
0.82	30.7	13.8	7.8	27.5	0.8	SMTP_824*0520D*28**
1.0	30.7	14.5	9.1	27.5	0.8	SMTP_105*0520D*28**
1.2	30.7	16.2	9.2	27.5	0.8	SMTP_125*0520D*28**
1.5	30.7	17.2	10.2	27.5	0.8	SMTP_155*0520D*28**
1.8	30.7	19	10.5	27.5	0.8	SMTP_185*0520D*28**
2.2	30.7	21.1	11	27.5	0.8	SMTP_225*0520D*28**
2.7	30.7	24.4	11.1	27.5	0.8	SMTP_275*0520D*28**
3.3	30.7	25.6	12.4	27.5	0.8	SMTP_335*0520D*28**
3.9	30.7	26.8	13.6	27.5	0.8	SMTP_395*0520D*28**
4.7	30.7	28.3	15	27.5	0.8	SMTP_475*0520D*28**
5.6	30.7	29.8	16.6	27.5	0.8	SMTP_565*0520D*28**
6.8	30.7	31.7	18.4	27.5	0.8	SMTP_685*0520D*28**
8.2	30.7	33.7	20.5	27.5	0.8	SMTP_825*0520D*28**

* = Lead Forming (Refer to Product code system)

** = Lead length

Metallized Polypropylene Film Capacitor
 金屬化聚丙烯膜電容器 (浸漬型) SMTP series



■ 外型尺寸表 Dimensions (mm)

630Vdc						
容量 uF	W	H	T	P	d	產品代碼 Part number
0.027	12.5	7.8	4.2	10	0.6	SMTP_273*0630D*10**
0.033	12.5	8.1	4.5	10	0.6	SMTP_333*0630D*10**
0.039	12.5	8.9	4.5	10	0.6	SMTP_393*0630D*10**
0.047	12.5	9.2	4.8	10	0.6	SMTP_473*0630D*10**
0.056	12.5	9.6	5.1	10	0.6	SMTP_563*0630D*10**
0.068	12.5	10.5	5.3	10	0.6	SMTP_683*0630D*10**
0.082	12.5	10.9	5.7	10	0.6	SMTP_823*0630D*10**
0.1	12.5	11.4	6.5	10	0.6	SMTP_104*0630D*10**
0.12	12.5	12	7	10	0.6	SMTP_124*0630D*10**
0.15	12.5	12.7	7.8	10	0.6	SMTP_154*0630D*10**
0.068	17.5	9.4	4.5	15	0.8	SMTP_683*0630D*15**
0.082	17.5	9.7	4.8	15	0.8	SMTP_823*0630D*15**
0.1	17.5	10.7	5.3	15	0.8	SMTP_104*0630D*15**
0.12	17.5	11	5.6	15	0.8	SMTP_124*0630D*15**
0.15	17.5	11.6	6.1	15	0.8	SMTP_154*0630D*15**
0.18	17.5	12	6.6	15	0.8	SMTP_184*0630D*15**
0.22	17.5	14.1	6.7	15	0.8	SMTP_224*0630D*15**
0.27	17.5	14.8	7.3	15	0.8	SMTP_274*0630D*15**
0.33	17.5	15.5	8	15	0.8	SMTP_334*0630D*15**
0.39	17.5	16.1	8.7	15	0.8	SMTP_394*0630D*15**
0.47	17.5	17	9.5	15	0.8	SMTP_474*0630D*15**
0.56	17.5	17.8	10.3	15	0.8	SMTP_564*0630D*15**
0.68	17.5	18.9	11.4	15	0.8	SMTP_684*0630D*15**
0.82	17.5	20.9	11.8	15	0.8	SMTP_824*0630D*15**
1.0	17.5	22.1	13.6	15	0.8	SMTP_105*0630D*15**
0.22	25.5	11.3	5.9	22.5	0.8	SMTP_224*0630D*23**
0.27	25.5	11.8	6.4	22.5	0.8	SMTP_274*0630D*23**
0.33	25.5	12.3	6.9	22.5	0.8	SMTP_334*0630D*23**
0.39	25.5	14.4	6.9	22.5	0.8	SMTP_394*0630D*23**

630Vdc						
容量 uF	W	H	T	P	d	產品代碼 Part number
0.47	25.5	15	7.5	22.5	0.8	SMTP_474*0630D*23**
0.56	25.5	16.7	7.6	22.5	0.8	SMTP_564*0630D*23**
0.68	25.5	17.4	8.3	22.5	0.8	SMTP_684*0630D*23**
0.82	25.5	18.2	9.2	22.5	0.8	SMTP_824*0630D*23**
1.0	25.5	19.2	10.6	22.5	0.8	SMTP_105*0630D*23**
1.2	25.5	20.2	11.6	22.5	0.8	SMTP_125*0630D*23**
1.5	25.5	22.5	12.4	22.5	0.8	SMTP_155*0630D*23**
1.8	25.5	23.7	13.6	22.5	0.8	SMTP_185*0630D*23**
2.2	25.5	25.2	15.1	22.5	0.8	SMTP_225*0630D*23**
0.27	30.7	11.2	5.8	27.5	0.8	SMTP_274*0630D*28**
0.33	30.7	11.7	6.3	27.5	0.8	SMTP_334*0630D*28**
0.39	30.7	12.1	6.7	27.5	0.8	SMTP_394*0630D*28**
0.47	30.7	12.7	7.3	27.5	0.8	SMTP_474*0630D*28**
0.56	30.7	13.8	7.9	27.5	0.8	SMTP_564*0630D*28**
0.68	30.7	15.5	8	27.5	0.8	SMTP_684*0630D*28**
0.82	30.7	16.2	8.7	27.5	0.8	SMTP_824*0630D*28**
1.0	30.7	18	9.7	27.5	0.8	SMTP_105*0630D*28**
1.2	30.7	19.9	9.8	27.5	0.8	SMTP_125*0630D*28**
1.5	30.7	21.1	11	27.5	0.8	SMTP_155*0630D*28**
1.8	30.7	24.2	11.9	27.5	0.8	SMTP_185*0630D*28**
2.2	30.7	25.5	12.2	27.5	0.8	SMTP_225*0630D*28**
2.7	30.7	26.9	13.6	27.5	0.8	SMTP_275*0630D*28**
3.3	30.7	28.5	15.2	27.5	0.8	SMTP_335*0630D*28**
3.9	30.7	29.9	16.7	27.5	0.8	SMTP_395*0630D*28**
4.7	30.7	31.7	18.5	27.5	0.8	SMTP_475*0630D*28**
5.6	30.7	33.6	20.3	27.5	0.8	SMTP_565*0630D*28**

* = Lead Forming (Refer to Product code system) ** = Lead length