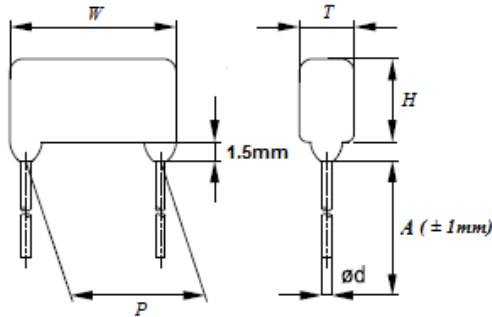


Metallized Polyester Film Capacitor



金屬化聚乙酯膜電容器 (Pitch=5.0) SMEM series

■ 外觀圖 Outline Drawing



■ 主要用途:

旁路, 隔直, 耦合, 退耦

脈沖, 邏輯, 定時, 緊湊型節能燈

LCD 監視器整流, 汽車直流馬達抑制干擾

■ Typical Applications

By-passing, blocking, coupling, decoupling

Pulse logic, timing, compact fluorescent lamps

Invert for LCD monitors, automotive DC motor suppression

■ 特點:

金屬化聚酯薄膜, 無感捲繞結構

阻燃性環氧樹脂包封

抗脈沖能力強

■ Features

Metalized polyester film, non-inductive wound construction

Flame retardant epoxy resin coating

High dV/dt ability

■ 技術要求 Specifications

引用標準 Reference Standard	GB/T 7332 (IEC 60384-2)	
氣候類別 Climatic Category	55/105/21	
工作溫度範圍 Operating Temperature Range	-40°C ~ +105°C (+85°C to +105°C: decreasing factor 1.25% per °C for UR)	
電容量範圍 Capacitance Range	0.01uF ~ 1.0 μF	
額定電壓 Rated (DC) Voltage	63/100Vdc , 250Vdc	
額定電壓 Rated (AC) Voltage	63Vac , 140Vac	
電容偏差 Capacitance Tolerance	±5%(J) 、 ±10%(K)	
承受電壓 Voltage Proof	1.5UR (5s)	
損耗角 Dissipation Factor	≤ 1.0% (20°C,1kHz)	
絕緣電阻 Insulation Resistance	UR ≤	C _R ≤ 0.33uF IR ≥ 15,000MΩ
	100V	C _R > 0.33uF IR ≥ 5,000S

Metallized Polyester Film Capacitor
 金屬化聚酯膜電容器 (Pitch=5.0) SMEM series



■ 外型尺寸表 Dimensions (mm)

63/100Vdc (63Vac)						
容量 uF	W	H	T	P	d	產品代碼 Part number
0.001	7.3	7.5	4.5	5	0.5	SMEM_102*0100D*05**
0.0015	7.3	7.5	4.5	5	0.5	SMEM_152*0100D*05**
0.0022	7.3	7.5	4.5	5	0.5	SMEM_222*0100D*05**
0.0033	7.3	7.5	4.5	5	0.5	SMEM_332*0100D*05**
0.0047	7.3	7.5	4.5	5	0.5	SMEM_472*0100D*05**
0.0068	7.3	7.5	4.5	5	0.5	SMEM_682*0100D*05**
0.0082	7.3	7.5	4.5	5	0.5	SMEM_822*0100D*05**
0.01	7.3	7.5	4.5	5	0.5	SMEM_103*0100D*05**
0.015	7.3	8	5	5	0.5	SMEM_153*0100D*05**
0.022	7.3	8	5	5	0.5	SMEM_223*0100D*05**
0.033	7.3	8	4.5	5	0.5	SMEM_333*0100D*05**
0.047	7.3	7.5	4.5	5	0.5	SMEM_473*0100D*05**
0.068	7.3	7.5	4.5	5	0.5	SMEM_683*0100D*05**
0.082	7.3	8	5	5	0.5	SMEM_823*0100D*05**
0.1	7.3	8.5	5.5	5	0.5	SMEM_104*0100D*05**
0.15	7.3	9	5.5	5	0.5	SMEM_154*0100D*05**
0.22	7.3	9	5.5	5	0.5	SMEM_224*0100D*05**
0.33	7.3	9	5.5	5	0.5	SMEM_334*0100D*05**
0.39	7.3	9	5.5	5	0.5	SMEM_394*0100D*05**
0.47	7.3	9.5	6	5	0.5	SMEM_474*0100D*05**
0.68	7.3	10	6.5	5	0.5	SMEM_684*0100D*05**
0.82	7.3	11	7	5	0.5	SMEM_824*0100D*05**
1.0	7.3	12	7.5	5	0.5	SMEM_105*0100D*05**

250Vdc (140Vac)						
容量 uF	W	H	T	P	d	產品代碼 Part number
0.001	7.3	7.5	4.5	5	0.5	SMEM_102*0250D*05**
0.0015	7.3	7.5	4.5	5	0.5	SMEM_152*0250D*05**
0.0022	7.3	7.5	4.5	5	0.5	SMEM_222*0250D*05**
0.0033	7.3	7.5	4.5	5	0.5	SMEM_332*0250D*05**
0.0047	7.3	7.5	4.5	5	0.5	SMEM_472*0250D*05**
0.0068	7.3	7.5	4.5	5	0.5	SMEM_682*0250D*05**
0.0082	7.3	7.5	4.5	5	0.5	SMEM_822*0250D*05**
0.01	7.3	7.5	4.5	5	0.5	SMEM_103*0250D*05**
0.015	7.3	8	5	5	0.5	SMEM_153*0250D*05**
0.022	7.3	8	5	5	0.5	SMEM_223*0250D*05**
0.033	7.3	8	4.5	5	0.5	SMEM_333*0250D*05**
0.047	7.3	8	4.5	5	0.5	SMEM_473*0250D*05**
0.068	7.3	8.5	5	5	0.5	SMEM_683*0250D*05**
0.082	7.3	9	6	5	0.5	SMEM_823*0250D*05**
0.1	7.3	9.5	6.5	5	0.5	SMEM_104*0250D*05**
0.15	7.3	10	7	5	0.5	SMEM_154*0250D*05**
0.22	7.3	10.5	7	5	0.5	SMEM_224*0250D*05**

* = Lead Forming (Refer to Product code system) ** = Lead length